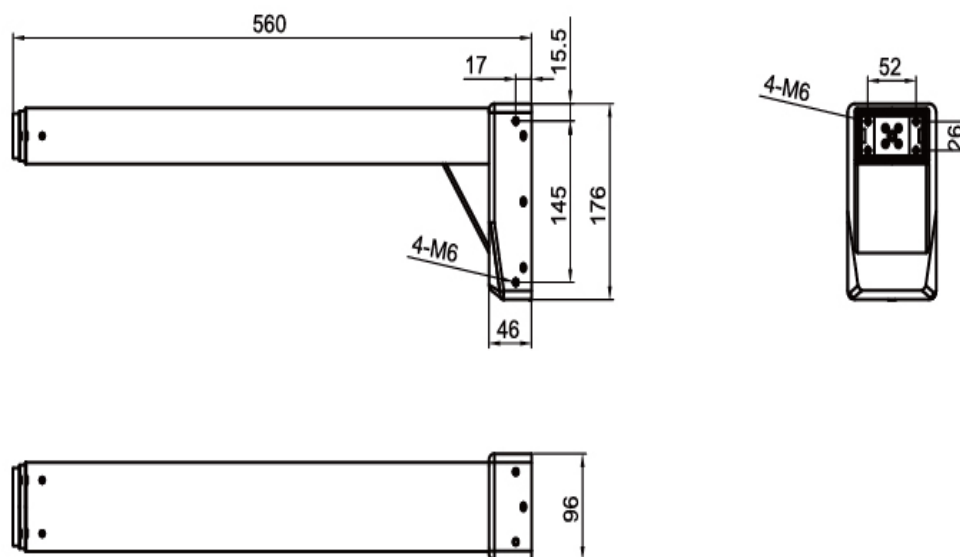
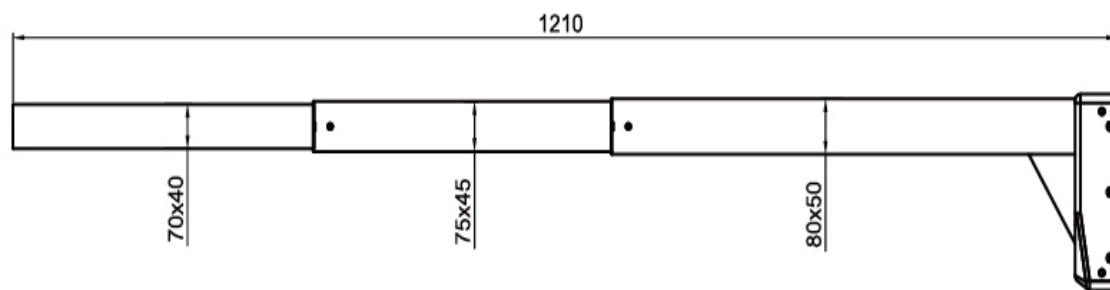
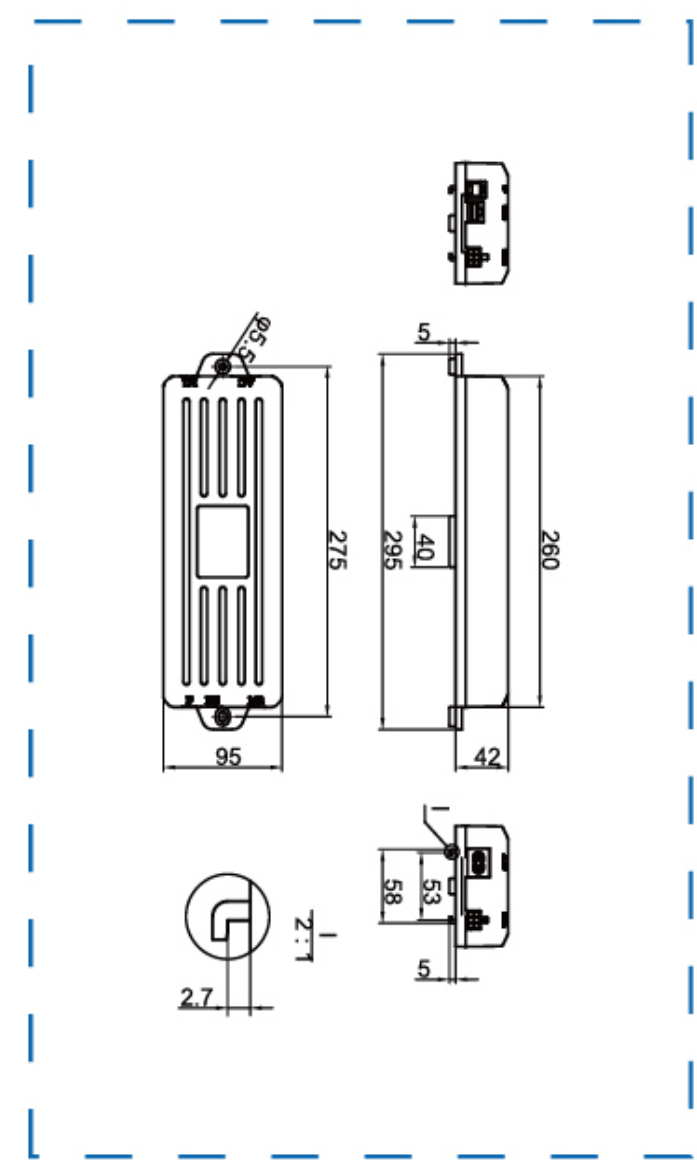




Stroke Length	650mm
Lowest Position	560mm
Highest Position	1210mm
Load Capacity	800N
Speed	35mm/s
Leg Dimension	80x50mm
Anti-collision Stop	Yes
Noise	<50dB
Standby Power	<0.1 watts
Surface Treatment	Powder Coating



- For use with 2 columns
- Output Voltage(VDC) 31
- Input Voltage(VAC) 110/230
- Transformer Power 270W
- CB,CUL,TUV-mark,SAA,PSE,KC



- 4 Position Memory Buttons
- LED Height Display
- Color Black

